

- LEGEND**
- DOT- DEPARTMENT OF TRANSPORTATION FLIP CHART PLACARD (1)
 - NF- NATIONAL FIRE PROTECTION ASSOCIATION 704 SIGN (1)
 - HDA- HOLD DOWN ANGLE (4)
 - S- SUMP (2400 GAL CAPACITY)
 - FP- FORKLIFT POCKETS
 - SGC- STATIC GROUND CONNECTOR
 - BC- BUILDING COLOR: BLEACHED BONE
 - NV- NATURAL VENTILATION WITH RAIN LOUVRE & 3 HR FIRE DAMPER (1)

- RD- 18'-6"W x 9'-6"H ROLL-UP DOOR, 4 HR FIRE RATED, INSULATED (3) (SHIP LOOSE, SITE INSTALL)
- GR- GRAVITY ROLLER PALLET RACK, 3 PALLETS DEEP x 2 HIGH
- AC- AIR CONDITIONER W/ HEAT, WALL MOUNT, EXPLOSION PROOF C1-D2 GROUP C & D (2)
- LC- LOAD CENTER 240V/1Ø NEMA 3R, GENERAL PURPOSE ELECTRICAL (1)
- I- INSULATION (R18) CEILING CAVITY, (R12) MINERAL WOOL WALL CAVITY (R12) IN THE FLOOR
- DC- DRY CHEMICAL FIRE SUPPRESSION SYSTEM W/ HORN, 45-45 lb COMBO, GENERAL PURPOSE ELECTRICAL (1)
- MV- MECHANICAL VENT W/ 3 HR FIRE DAMPER, EXPLOSION PROOF C1-D1, GROUP C & D ELECTRICAL (1)
- SW- FAN SWITCH, GENERAL PURPOSE (1)

- GENERAL NOTES:**
- 1) WALL CONSTRUCTION: 2 HR BI-DIRECTIONAL
 - 2) ROOF CONSTRUCTION: 1HR
 - 3) BUILDING WEIGHT: 56,987 LBS

ESTIMATED SHIPPING DIMENSIONS:
 LENGTH = 65'-0"
 DEPTH = 15'-11"
 HEIGHT = 12'-5"

SUPPLY VOLTAGE
 120/240V/1Ø/60hz

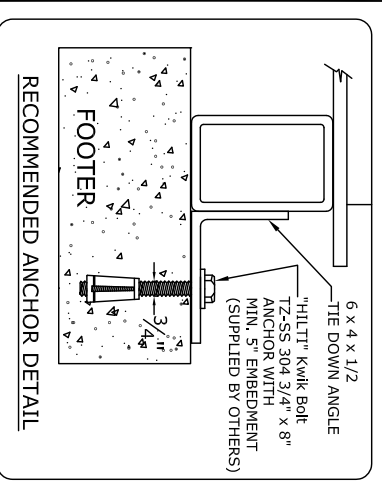
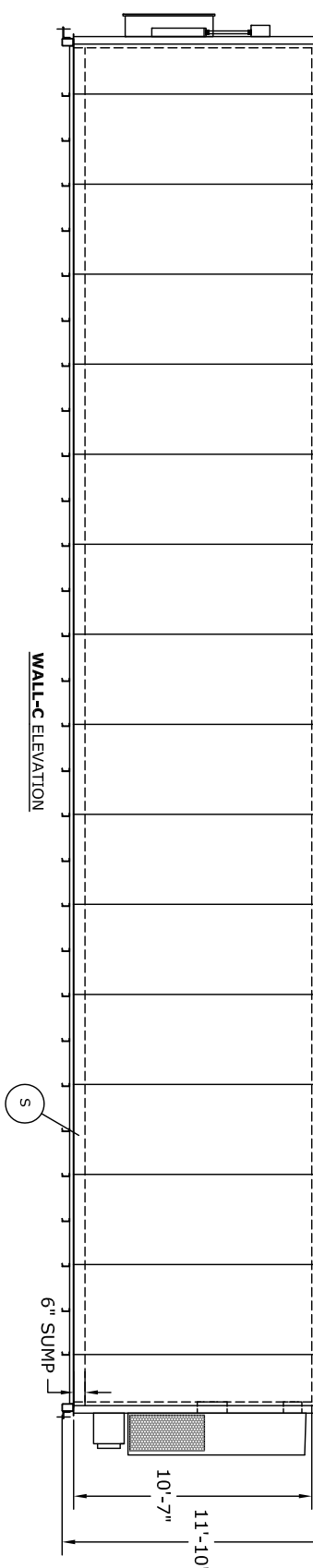
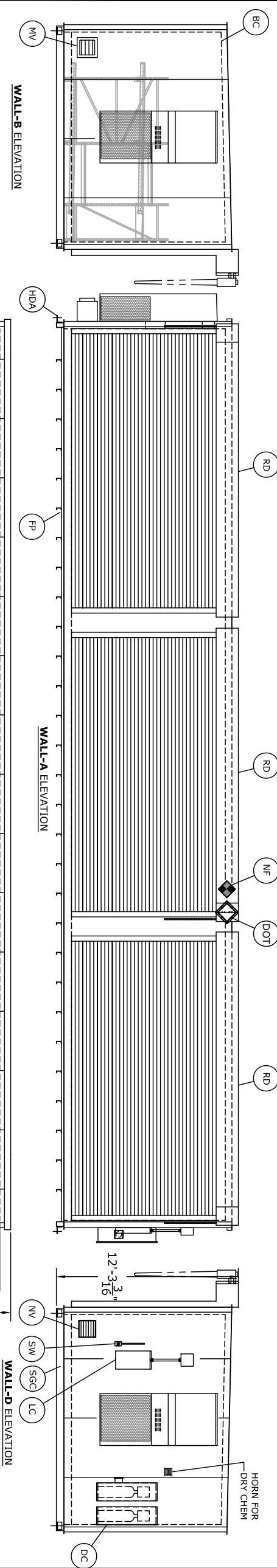
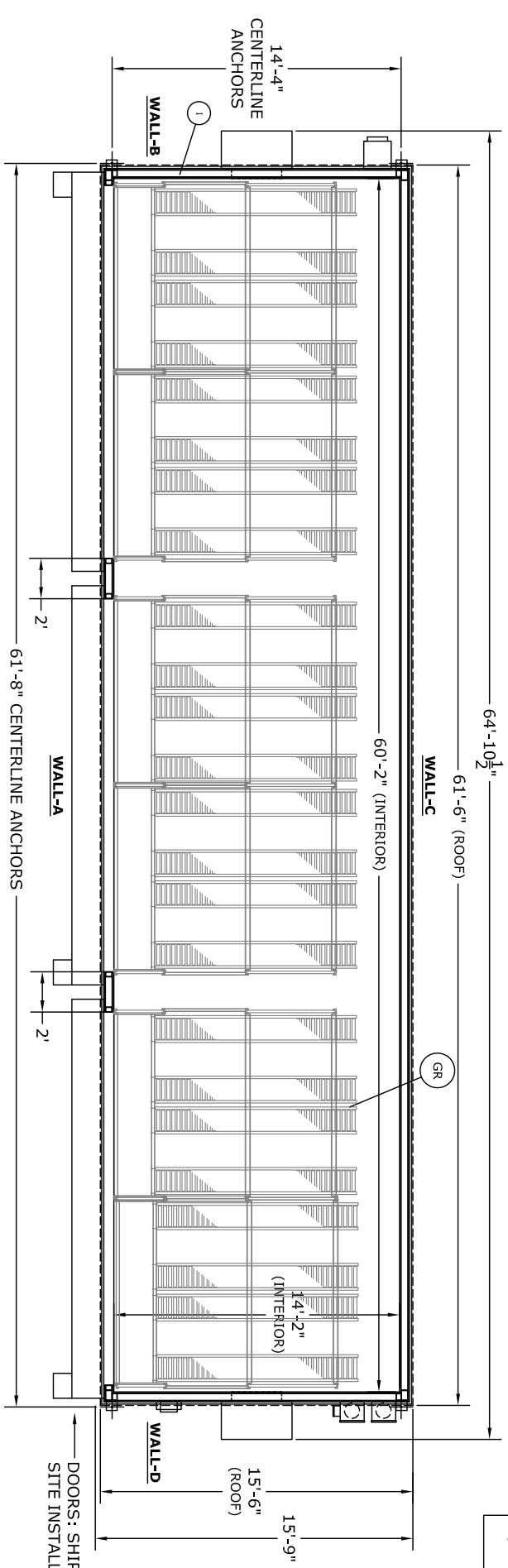
MINIMUM ROOF LIVE LOAD (PSF) = 40
 Pg: GROUND SNOW LOAD (PSF) = 50
 V: WIND VELOCITY (MPH V ult) = 120
 SEISMIC DESIGN CATEGORY: C

FINAL FOUNDATION DESIGN TO BE SUPPLIED BY OTHERS

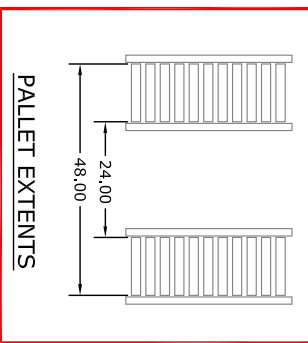
ALL DIMENSIONS SHOWN ON THIS PRINT ARE FOR YOUR REFERENCE. TOLERANCES ARE ±1" UNLESS OTHERWISE NOTED.

DATE:
 DRAWN BY:

**2HR BI DIRECTIONAL
 FIRE RATED BUILDING
 MODEL NO. FL6115**



PALLET INFORMATION FOR 18'-6" DOOR
 SUGGESTED PALLET WIDTH: 48" - 30"
 SUGGESTED PALLET HEIGHT: 48"
 MAXIMUM PALLET DEPTH: 48"
 MAXIMUM WEIGHT: 2,500 lbs



LEGAL NOTE
 THIS DRAWING IS THE PROPERTY OF U.S. CHEMICAL STORAGE, LLC. ANY DUPLICATION OF THIS DRAWING IN WHOLE OR IN PART IS STRICTLY FORBIDDEN. ANYONE DOING SO WILL BE PROSECUTED UNDER THE FULL EXTENT OF THE LAW.



MANUFACTURING FACILITY
 1806 River Street, Hwy. 268 W.
 Wilkesboro, NC 28697