

LEGEND

- DOT- DEPARTMENT OF TRANSPORTATION FLIP CHART PLACARD
- NF- NATIONAL FIRE PROTECTION ASSOCIATION 704 SIGN
- BC- BUILDING COLOR-BLEACHED BONE-UNLESS SPECIFIED OTHERWISE
- S- SUMP
- FP- FORKLIFT POCKETS
- SGC- STATIC GROUND CONNECTOR
- HDA- HOLD DOWN ANGLE (4)
- NV- NATURAL VENTILATION WITH RAIN LOUVRE
- D1- 9' X 8' ROLL UP DOOR INSULATED 4 HR FIRE RATED (1)
- D2- 60" DOUBLE LEAF DOOR SYSTEM 3 HR FIRE RATED (2)
- LC- LOAD CENTER 480V 3 PHASE
- I- INSULATION (R22) CEILING & WALLS
- IL- (EXPLOSION PROOF) INTERIOR LIGHTING (8)
- SL- SUMP LINER
- MV- (EXPLOSION PROOF) MECHANICAL VENT (1)
- SPS- SPRINKLER SYSTEM
- ES- SHOWER/EYEWASH STATION
- SW1- INTERIOR LIGHT SWITCH (1)
- SW2- MECHANICAL VENT SWITCH (1)
- H1- (EXPLOSION PROOF) FAN FORCED HEATER 51,200 BTU (1)
- H2- (EXPLOSION PROOF) FAN FORCED HEATER 34,100 BTU (1)
- RU- REFRIGERATION UNIT 22,000 BTU (2)

REVISIONS				
CHANGES BY	REV	DESCRIPTION	DATE	APPROVED

GENERAL NOTES:
 1- ALL MATERIAL AND WORKMANSHIP SHALL CONFORM WITH THE REQUIREMENTS OF THE LATEST REVISION OF THE UBC 1997. DESIGN ACCORDING TO AISC, ASD, AND WITH ANSI/ASCE 7-95.
 2- NO LOADS OTHER THAN THOSE GIVEN UNDER "DESIGN DATA" BELOW SHALL BE IMPOSED ON THE "STRUCTURE."
 DESIGN DATA (MATERIALS)
 STRUCTURAL QUALITY ASTM SPECIFICATION, A36 ER70S WELDING WIRE.
 DESIGN DATA IN ACCORDANCE WITH ANSI/ASCE 7-95:

MINIMUM ROOF LIVE LOAD (PSF) = 40
 Pg: GROUND SNOW LOAD (PSF) = 50
 V: WIND VELOCITY (MPH) = 130
 SEISMIC ZONE = 4

FOUNDATION NOTES:
 THE FOUNDATION DRAWING IS A SUGGESTION ONLY. CHANGES MAY BE NECESSARY DUE TO LOCAL BUILDING REGULATIONS AND SITE CONDITIONS.
 1- THE PAD PERIMETER SHOULD BE AT LEAST 24" LARGER THAN THE BUILDING, BOTH IN LENGTH AND WIDTH.
 2- THE FOUNDATION SHOULD BE FORMED ON NATURAL UNDESTRUCTED SOIL CAPABLE OF SUBSTAINING 2,000 PSF.
 3- GRANULAR BASED GRAVEL OR CRUSHED STONE SHOULD BE COMPACTED TO A DEPTH OF 4". THE SLAB SHOULD CONSIST OF 8" THICK 2,000 PSI CONCRETE.
 4- FINISH SURFACE SHOULD BE LEVEL AND THEN INSTALL ¼" X 4" ANCHOR BOLTS INTO THE TIE DOWNS ATTACHED TO THE BUILDING CORNERS.

ALL DIMENSIONS SHOWN ON THIS PRINT ARE FOR YOUR REFERENCE. TOLERANCES ARE ±1" UNLESS OTHERWISE NOTED.

DATE:
 DRAWN BY: BL

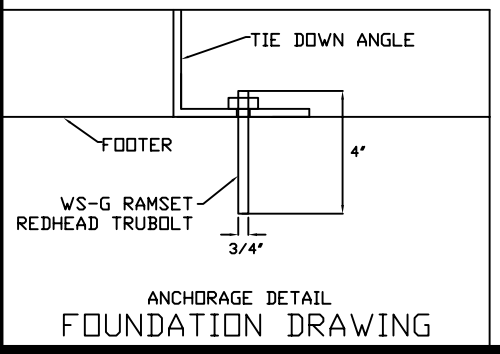
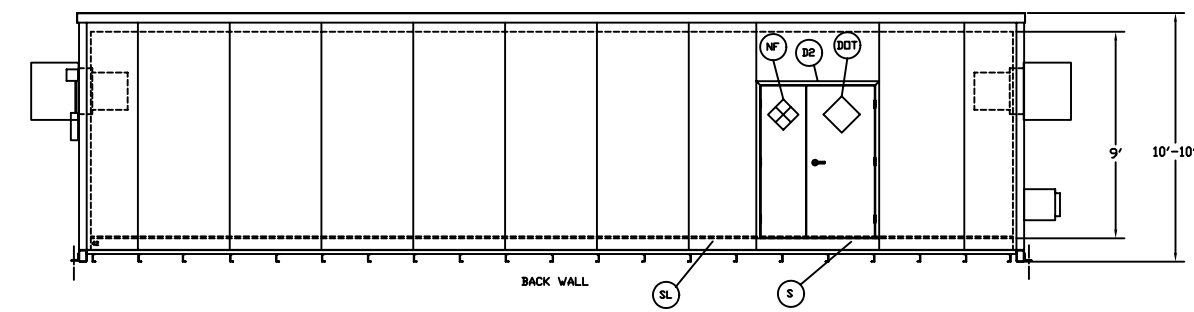
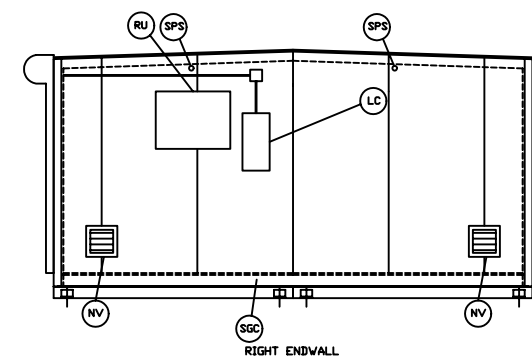
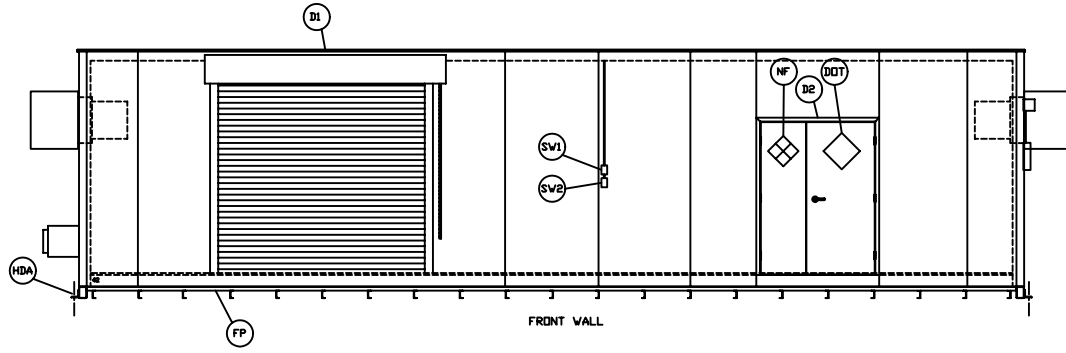
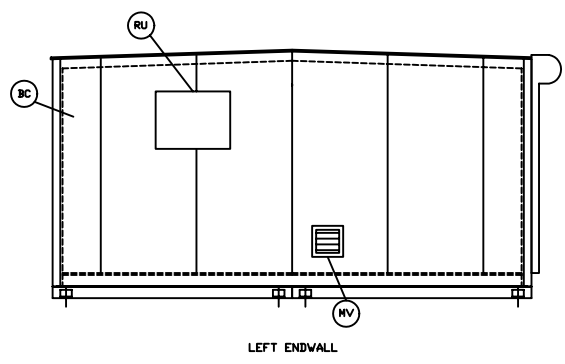
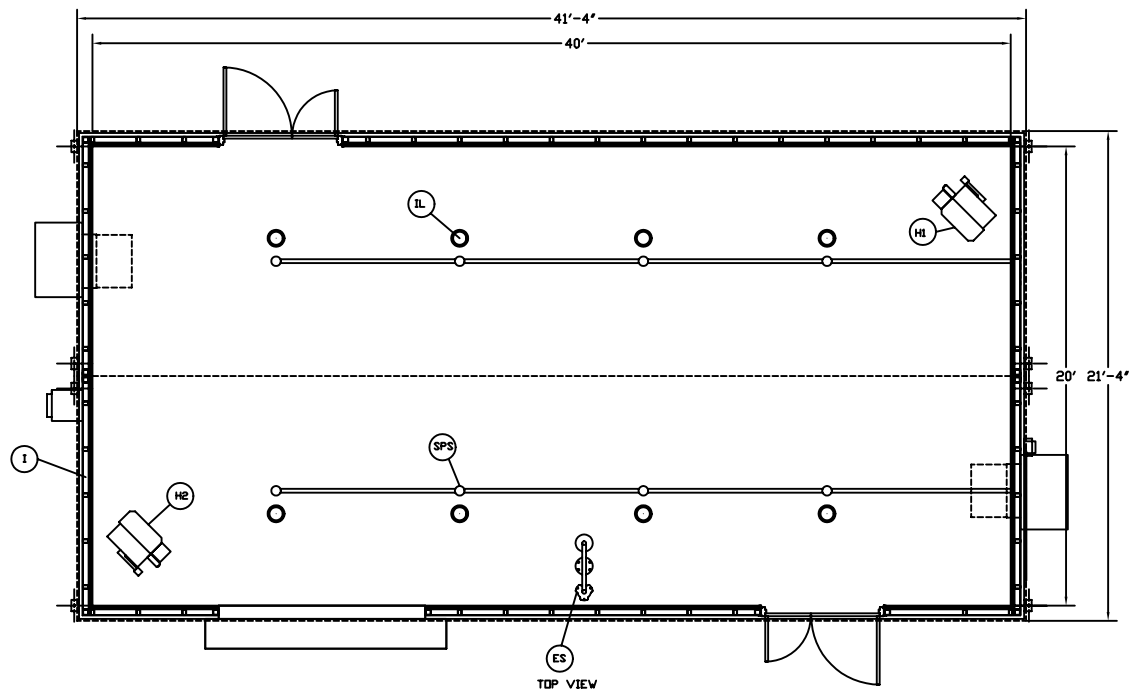
CUSTOMER
 -
 -
 MODEL NO. FL4222
 QUOTE NO. -
 ORDER NO. -

APPROVAL PRINT
 THIS PRINT IS CONFIRMATION OF YOUR ORDER AND ILLUSTRATES THE APPROXIMATE LOCATION OF FACTORY INSTALLED OPTIONS. CUSTOMER APPROVAL IS REQUIRED BEFORE MANUFACTURING CAN BEGIN.
 ANY CHANGES MADE AFTER CUSTOMER APPROVAL MAY INCUR EXTRA CHARGES AND DELAY ESTIMATED DELIVERY.

SIGNATURE _____
 PLEASE PRINT NAME _____ DATE _____

LEGAL NOTE
 THIS DRAWING IS THE PROPERTY OF U.S. CHEMICAL STORAGE, LLC. ANY DUPLICATION OF THIS DRAWING IN WHOLE OR IN PART IS STRICTLY FORBIDDEN. ANYONE DOING SO WILL BE PROSECUTED UNDER THE FULL EXTENT OF THE LAW.

APPROVED BY: NAEEM AHKTER
 CHECKED BY: NAEEM AHKTER



U.S. CHEMICAL STORAGE®
 355 INDUSTRIAL PARK DRIVE
 BOONE, NC 28607
 PHONE: 1.800.233.1480
 FAX: 1.828.264.7926

ENGINEER'S SEAL