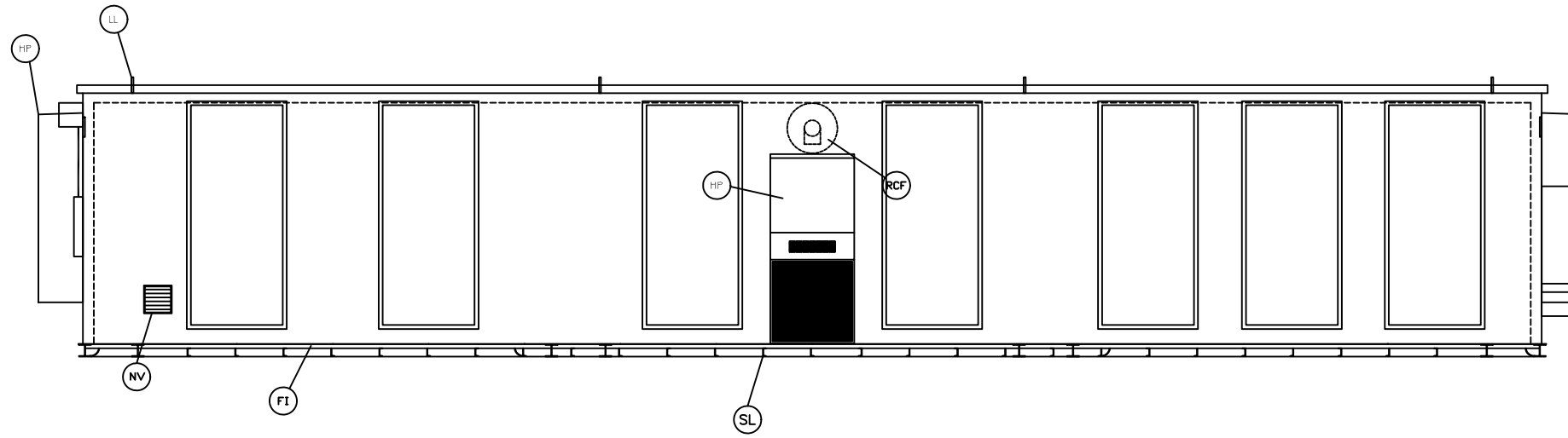
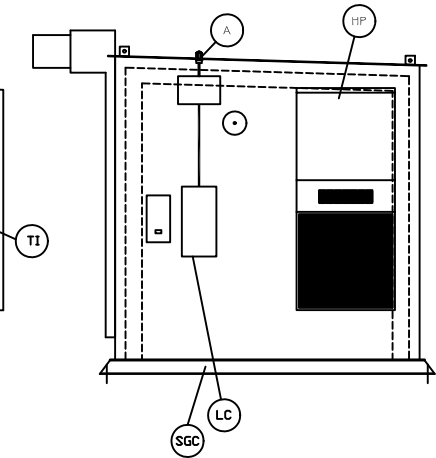
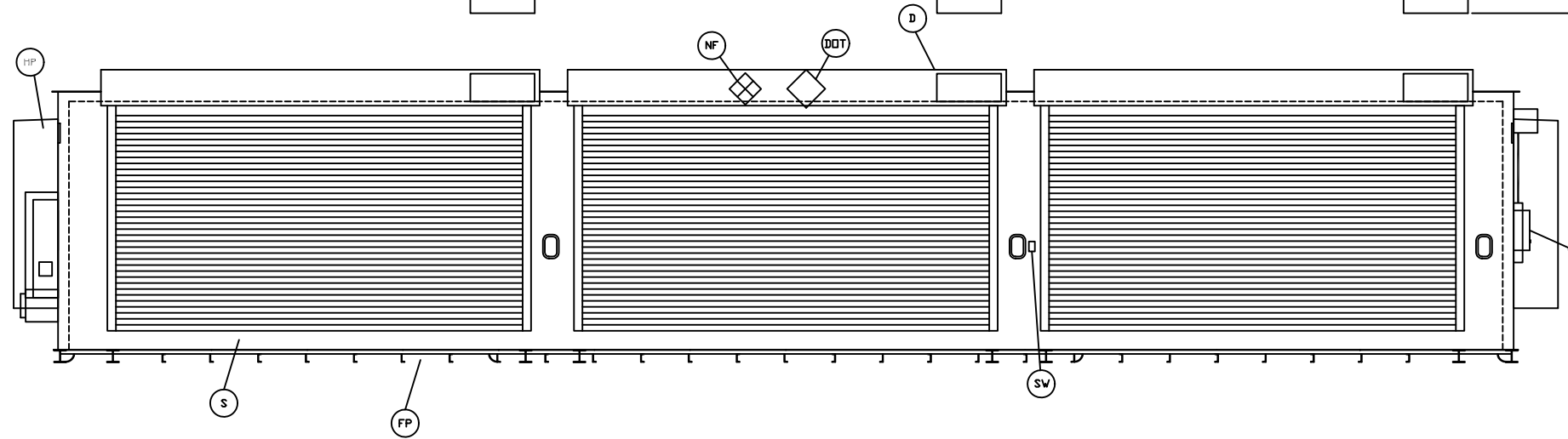
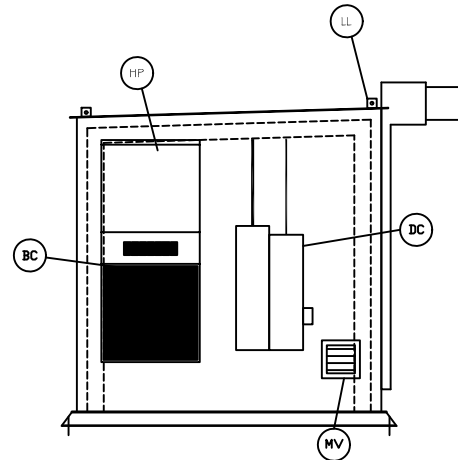
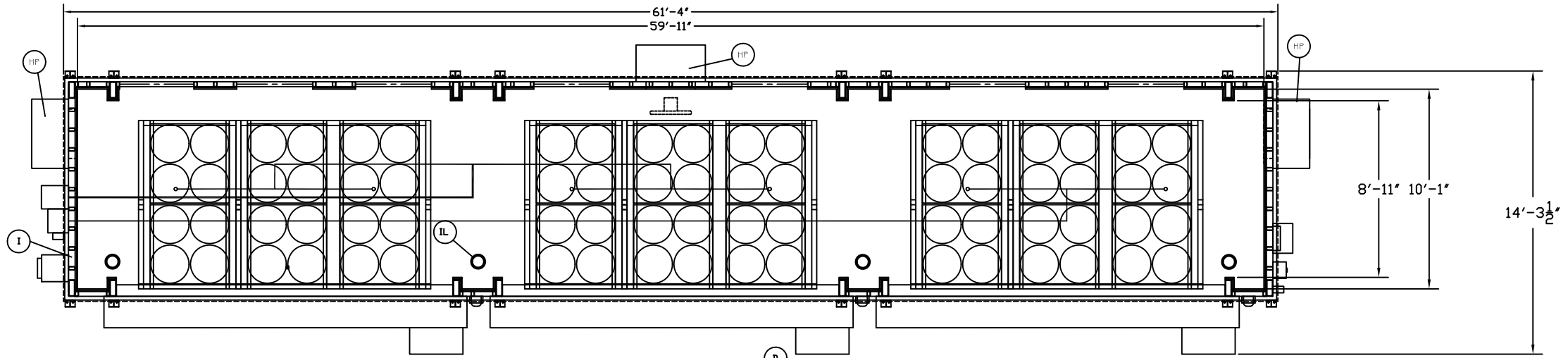


LEGEND

- DOT- DEPARTMENT OF TRANSPORTATION FLIP CHART PLACARD
- NF- NATIONAL FIRE PROTECTION ASSOCIATION 704 SIGN
- S- SUMP
- FP- FORKLIFT POCKETS
- SGC- STATIC GROUND CONNECTOR
- BC- BUILDING COLOR-BLEACH BONE
- NV- NATURAL VENTILATION WITH RAIN LOUVRE
- A- ALARM (STOBE LIGHT YELLOW FOR TEMPERATURE INDICATOR)
- ERP- EXPLOSION RELIEF PANELS (7)
- PBR- PUSH BACK RACK (36 PALLETS)
- D- ROLL UP DOOR 17' X 9' MOTORIZED EXPLOSION PROOF 4 HR FIRE RATED WITH TIMERS (3)
- DC- DRY CHEMICAL FIRE SUPPRESSION COMBO SYSTEM
- IL- (EXPLOSION PROOF) INTERIOR LIGHTING (4)
- SW- (EXPLOSION PROOF) LIGHT SWITCH
- LC- LOAD CENTER 240/1/60 (200 AMP)
- HP- (EXPLOSION PROOF) HEAT PUMP 6 TON (3)
- MV- (EXPLOSION PROOF) MECHANICAL VENT
- TI- (EXPLOSION PROOF) TEMPERATURE INDICATOR
- FI- FLOOR INSULATION (R10)
- I- INSULATION (R192) WALLS & CEILING
- LL- LIFTING LUG (8)
- RCF- (EXPLOSION PROOF) RECIRCULATION FAN (1)
- SL- SCORPIN LINING BASE



**U.S. CHEMICAL STORAGE**

CUSTOMER: REFRIGERATION BUILDING 3  
 TITLE: GENERAL ARRANGEMENT  
 MODEL FL6212

DRAWING NO. XX-XXXX

REV.	DESCRIPTION	BY	CHK BY	DATE

ACAD #: 30-10056-02 REV C PLOT SCALE: 1=96 CHK BY:

DRAWN BY: AC ORDER NO: 30-10056 DATE: 01/07/11 SHEET 1 OF 1