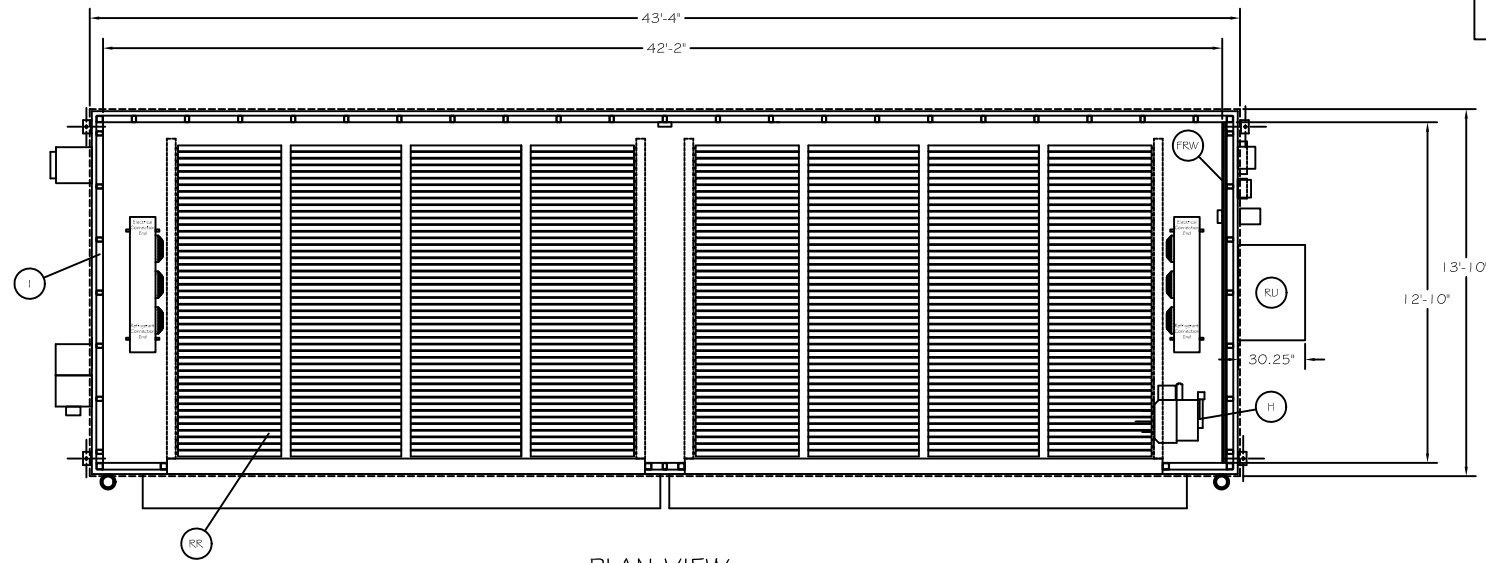


**LEGEND**

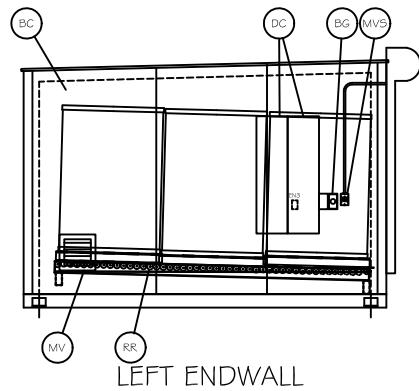
- DOT- DEPARTMENT OF TRANSPORTATION FLIP CHART PLACARD (2)
- NF- NATIONAL FIRE PROTECTION ASSOCIATION 704 SIGN (2)
- HDA- HOLD DOWN ANGLE (4)
- SGC- STATIC GROUND CONNECTOR (1)
- S- SUMP
- FP- FORKLIFT POCKETS
- BC- BUILDING COLOR: BLEACHED BONE
- NV- NATURAL VENTILATION WITH RAIN LOUVRE (1)
- D- ROLL UP DOOR, 18'-0"W x 7'-0"H, INSULATED, NON-FIRE RATED (2)
- DC- DRY CHEMICAL FIRE SUPPRESSION SYSTEM, 45/21 LB. COMBO TANK (1)
- DCB- DRY CHEM BELL (1)
- I- INSULATION (R19) IN THE WALLS & CEILING, (R10) IN THE FLOOR
- EL- (EXPLOSION PROOF) EXTERIOR LIGHTING (2)
- LC1- LOAD CENTER, 240V, SINGLE PHASE 30 SPACE, 200 AMP CAPACITY
- LC2- LOAD CENTER, 240V, SINGLE PHASE 6 SPACE, 100 AMP CAPACITY
- RU- (EXPLOSION PROOF) 30,000 BTU SPLIT SYSTEM REFRIGERATION UNIT (1)
- H- (EXPLOSION PROOF) 34,120 BTU FORCED AIR HEATER (1)
- RFG- REMOVAL OF STEEL FLOOR GRATING
- RR- GRAVITY ROLLING RACK FOR PALLETS, 4 WIDE AND 3 DEEP
- TS- (EXPLOSION PROOF) INTERIOR TEMPERATURE SENSOR WITH EXTERIOR DISPLAY INCLUDES TEMPERATURE AND GAS DISPLAY DRY CONTACTS (1)
- BG- BREAK GLASS EMERGENCY SHUT-OFF (1)
- MV- (EXPLOSION PROOF) MECHANICAL VENTILATION SYSTEM (1)  
TO BE ACTIVATED AT 25% LEVEL TO MAINTAIN 1 CFM/SQ. FT.
- MVS- (NON EXPLOSION PROOF) MECHANICAL VENT ON/AUTO SWITCH (1)
- LEL- LOWER EXPLOSIVE LIMIT SENSOR (1)
- LELS- LEL SENSOR STROBE TO BE ACTIVATED @ 25% LEVEL, BLUE COLOR (1)
- FRW- FIRE RATED WALL 2 HOUR FIRE RATED UNI-DIRECTIONAL (RIGHTEND WALL)

STORAGE / DISPENSING OF CLASS 1A AND DISPENSING OF CLASS 1B FLAMMABLE LIQUIDS PROHIBITED.

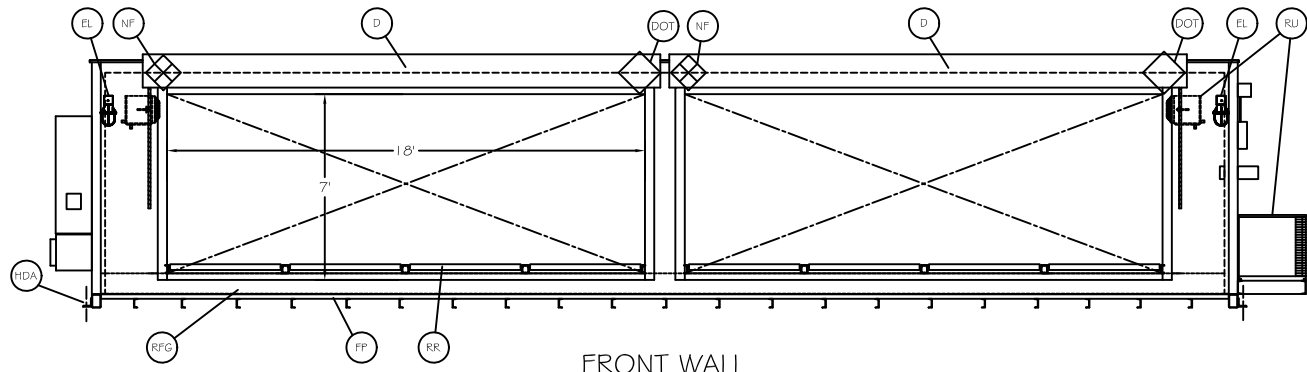
SUPPLY VOLTAGE  
240/1/60



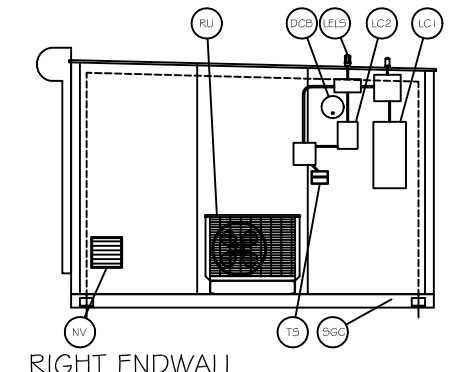
PLAN VIEW



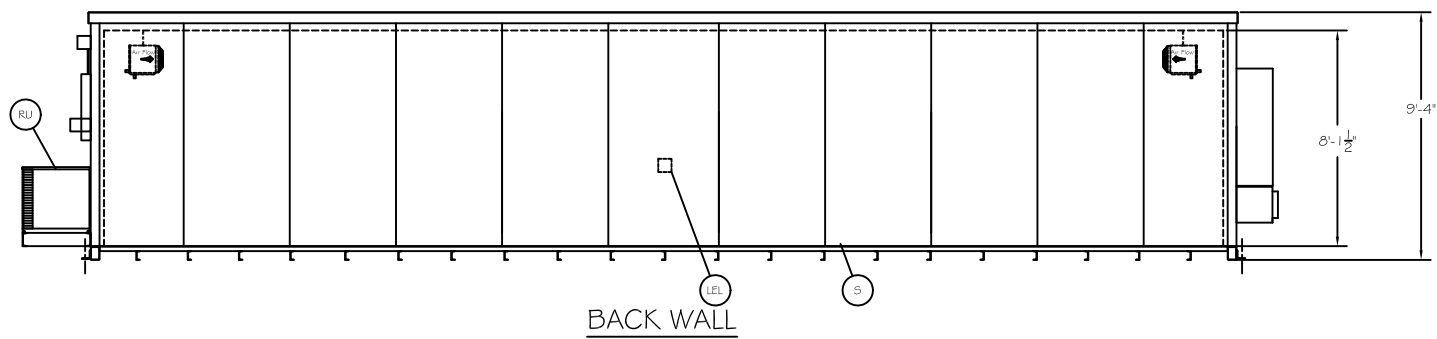
LEFT ENDWALL



FRONT WALL



RIGHT ENDWALL



BACK WALL

**U.S. CHEMICAL STORAGE**

CORPORATE OFFICE  
355 Industrial Park Drive  
Boone, NC 28607  
PHONE: 1.800.233.1480

MANUFACTURING FACILITY  
1806 River Road, Hwy 268 W.  
Wilkesboro, NC 28697  
PHONE: 1.888.583.9823  
FAX: 1.336.838.0045

CUSTOMER: **REFRIGERATION BUILDING 1**

TITLE: **GENERAL ARRANGEMENT  
MODEL CL414**

DRAWING NO. **XX-XXXX**

ACAD #: 30-4016-01 | PLOT SCALE: NTS | CHK BY: | DRAWN BY: SS | ORDER NO. 30-10304 | DATE: 05/25/10 | SHEET 1 OF 1

REV.	DESCRIPTION	BY	CHK BY	DATE