

LEGEND

- DOT- DEPARTMENT OF TRANSPORTATION FLIP CHART PLACARD
- NF- NATIONAL FIRE PROTECTION ASSOCIATION 704 SIGN
- HDA- HOLD DOWN ANGLE (4)
- S- SUMP
- FP- FORKLIFT POCKETS
- SGC- STATIC GROUND CONNECTOR
- BC- BUILDING COLOR-BLEACHED BONE-UNLESS SPECIFIED OTHERWISE
- NV- NATURAL VENTILATION WITH RAIN LOUVRE
- SS- SUMP SEPERATOR
- PW- PARTITION WALL
- LC- LOAD CENTER 240 VOLT 1 PHASE
- IL- (EXPLOSION PROOF) INTERIOR LIGHTING (2)
- SW1- (NON-EXPLOSION PROOF) LIGHT SWITCH
- D1- ROLLUP DOOR 13'W X 7'H
- D2- ROLLUP DOOR 16'W X 7'H
- D3- 36" DOOR (2)
- MV- (EXPLOSION PROOF) MECHANICAL VENT
- SW2- (NON-EXPLOSION PROOF) FAN SWITCH
- FAH- (EXPLOSION PROOF) FORCED AIR HEATER 34,150 BTU
- I- INSULATION (R11) CEILING AND WALLS
- DC- DRY CHEMICAL FIRE SUPPRESSION SYSTEM

**SUPPLY VOLTAGE**  
**240/1/60**

REVISIONS				
CHANGES BY	REV	DESCRIPTION	DATE	APPROVED

GENERAL NOTES:  
 1- ALL MATERIAL AND WORKMANSHIP SHALL CONFORM WITH THE REQUIREMENTS OF THE LATEST REVISION OF THE UBC 1997. DESIGN ACCORDING TO AISC, ASD, AND WITH ANSI/ ASCE 7-95.  
 2- NO LOADS OTHER THAN THOSE GIVEN UNDER "DESIGN DATA" BELOW SHALL BE IMPOSED ON THE "STRUCTURE."  
 DESIGN DATA (MATERIALS)  
 STRUCTURAL QUALITY ASTM SPECIFICATION, A36 ER70S WELDING WIRE.  
 DESIGN DATA IN ACCORDANCE WITH ANSI/ ASCE 7-95:

MINIMUM ROOF LIVE LOAD (PSF) = 40  
 Pg: GROUND SNOW LOAD (PSF) = 50  
 V : WIND VELOCITY (MPH) = 130  
 SEISMIC ZONE = 4

FOUNDATION NOTES:  
 THE FOUNDATION DRAWING IS A SUGGESTION ONLY. CHANGES MAY BE NECESSARY DUE TO LOCAL BUILDING REGULATIONS AND SITE CONDITIONS.  
 1- THE PAD PERIMETER SHOULD BE AT LEAST 12" LARGER THAN THE BUILDING, BOTH IN LENGTH AND WIDTH.  
 2- THE FOUNDATION SHOULD BE FORMED ON NATURAL UNDESTRUBED SOIL CAPABLE OF SUBSTAINING 1,500 PSF.  
 3- GRANDUAL BASED GRAVEL OR CRUSHED STONE SHOULD BE COMPACTED TO A DEPTH OF 4" . THE SLAB SHOULD CONSIST OF 4" THICK 3,000 PSI CONCRETE.  
 4- FINISH SURFACE SHOULD BE LEVEL AND THEN INSTALL 3/4" X 4" ANCHOR BOLTS INTO THE TIE DOWNS ATTACHED TO THE BUILDING CORNERS.

ALL DIMENSIONS SHOWN ON THIS PRINT ARE FOR YOUR REFERENCE. TOLERANCES ARE ±1" UNLESS OTHERWISE NOTED.

DATE: 08/27/08

DRAWN BY: BL

**CUSTOMER**

ADDRESS 1  
 ADDRESS 2

MODEL NO. CL3412  
 QUOTE NO. -  
 ORDER NO. -

**APPROVAL PRINT**

THIS PRINT IS CONFIRMATION OF YOUR ORDER AND ILLUSTRATES THE APPROXIMATE LOCATION OF FACTORY INSTALLED OPTIONS. CUSTOMER APPROVAL IS REQUIRED BEFORE MANUFACTURING CAN BEGIN. ANY CHANGES MADE AFTER CUSTOMER APPROVAL MAY INCUR EXTRA CHARGES AND DELAY ESTIMATED DELIVERY.

SIGNATURE

PLEASE PRINT NAME DATE

**LEGAL NOTE**

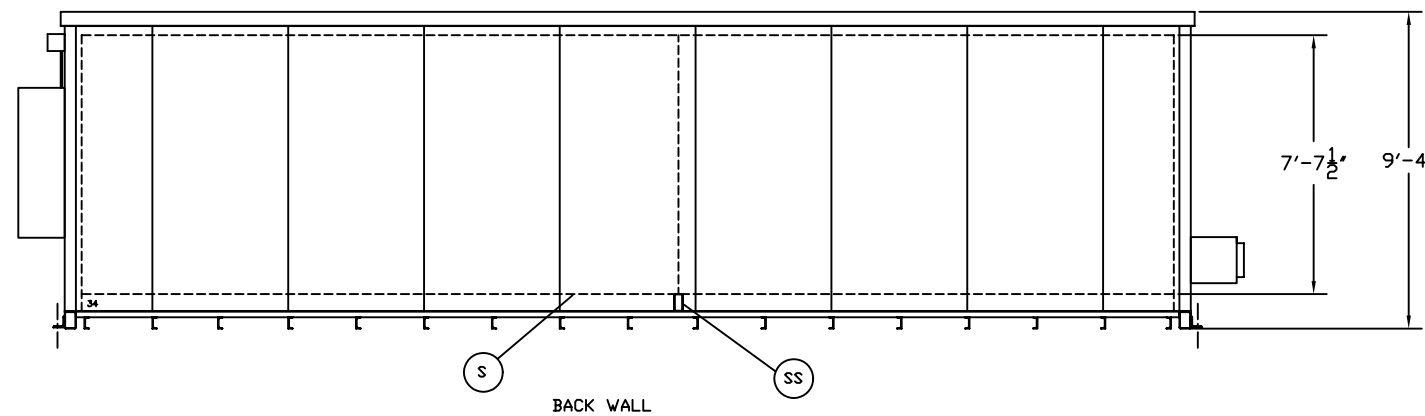
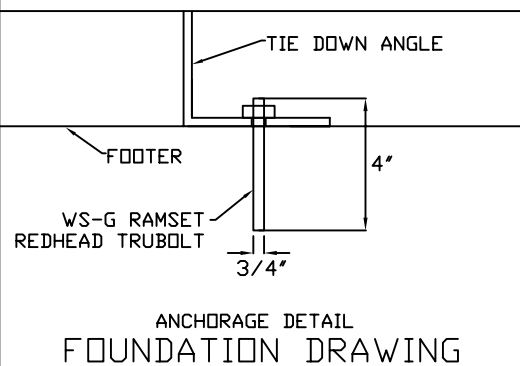
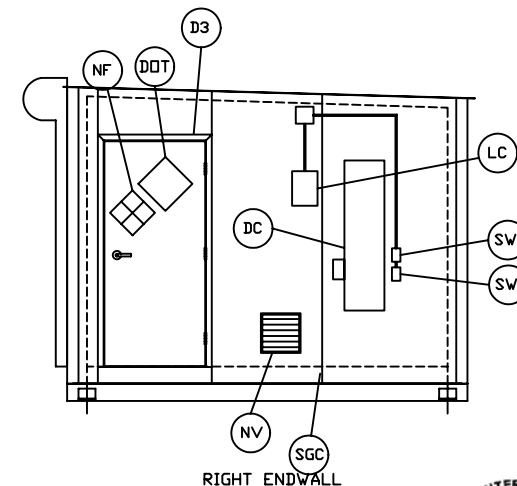
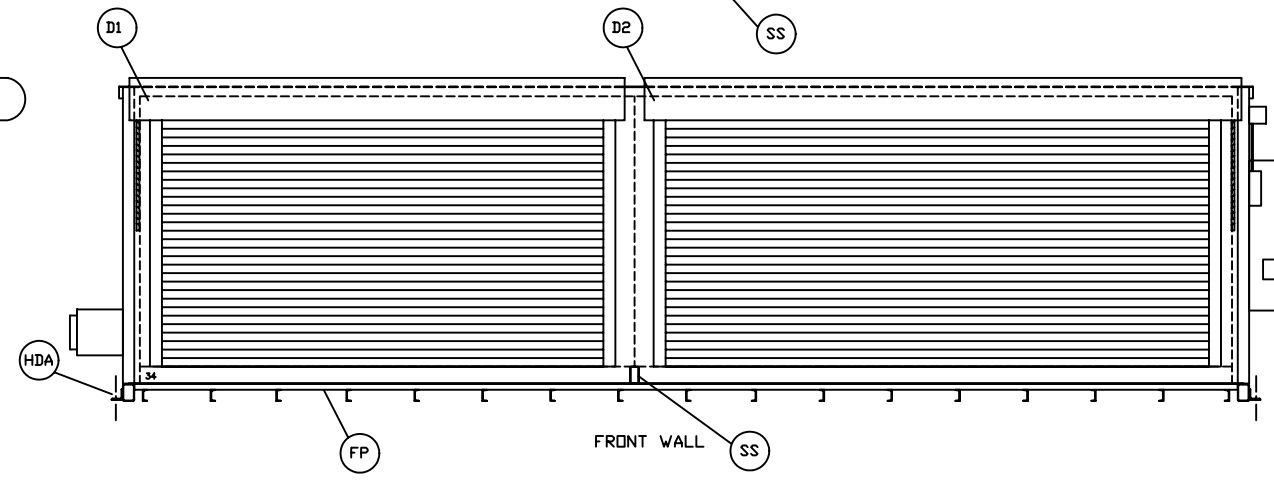
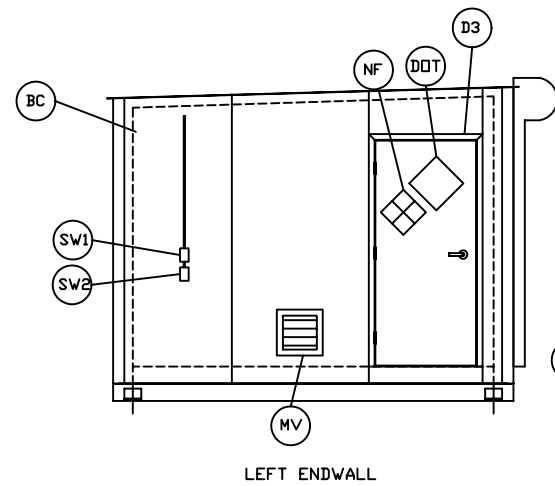
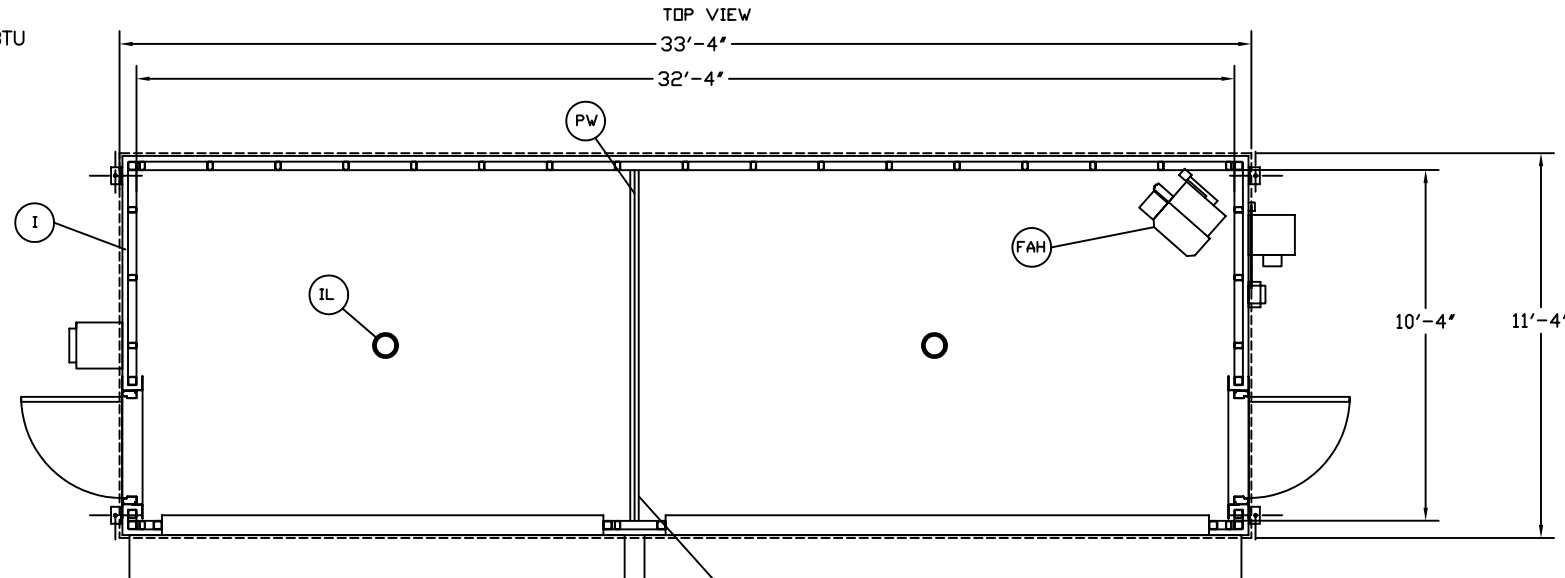
THIS DRAWING IS THE PROPERTY OF U.S. CHEMICAL STORAGE, LLC. ANY DUPLICATION OF THIS DRAWING IN WHOLE OR IN PART IS STRICTLY FORBIDDEN. ANYONE DOING SO WILL BE PROSECUTED UNDER THE FULL EXTENT OF THE LAW.

Customer is responsible to check with appropriate agencies to determine if any third party or local approvals are necessary.

This order does not include tax, anchoring, arming of dry chemical fire suppression system, electrical/water connections or permits.

This order is subject to US Chemical Storage LLC's terms and conditions which are located in your building manual which can be downloaded from [www.uschemicalstorage.com/support/index.html](http://www.uschemicalstorage.com/support/index.html)

Customer is responsible to determine the classification and set back of the storage building depending on the type and quantity of the chemicals being stored. Local Agency may require additional equipment to be added to this unit after their plan review process. Additional equipment is not included in the quotation.



U.S. CHEMICAL STORAGE®  
 355 INDUSTRIAL PARK DRIVE  
 BOONE, NC 28607  
 PHONE: 1.800.233.1480  
 FAX: 1.828.264.7926